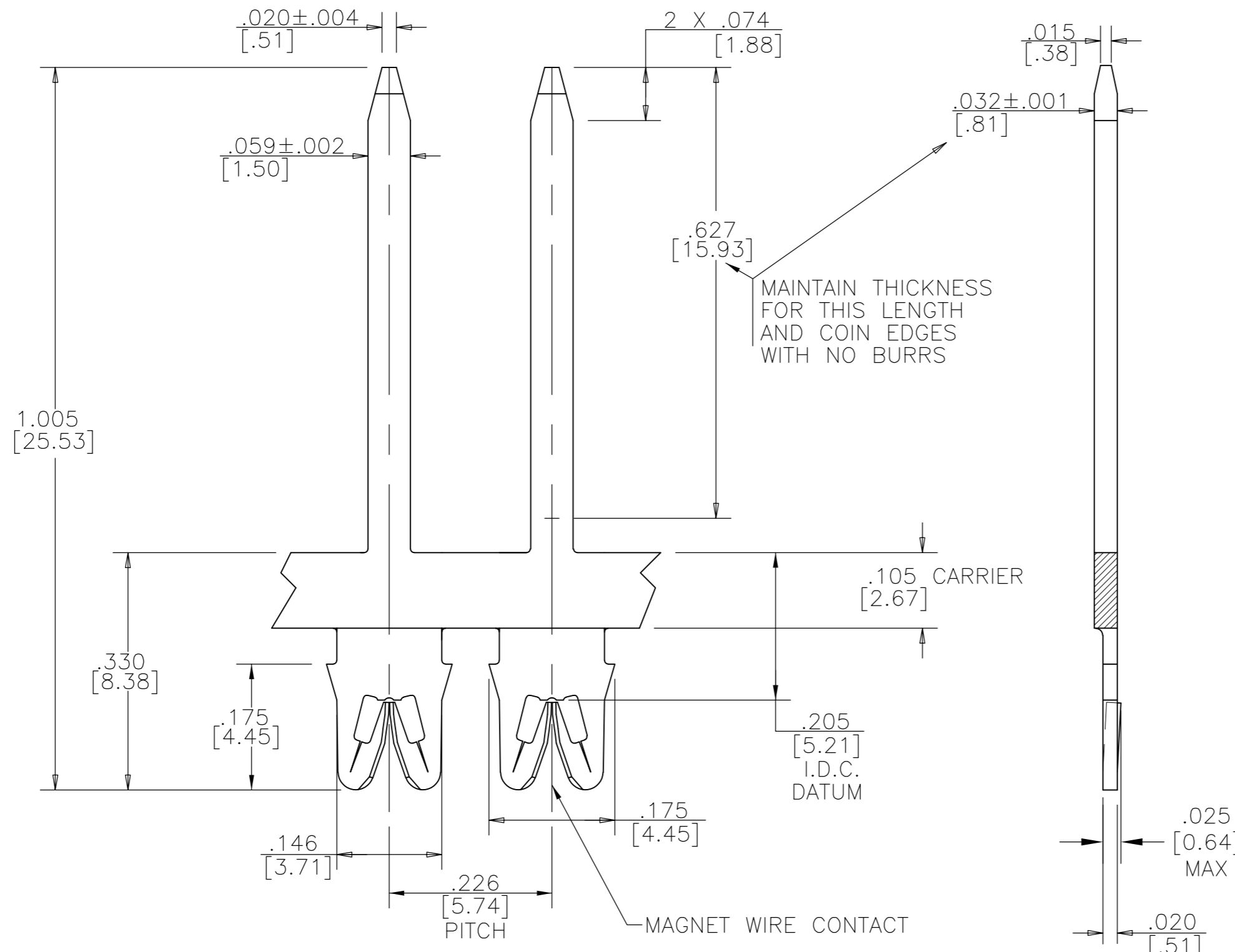
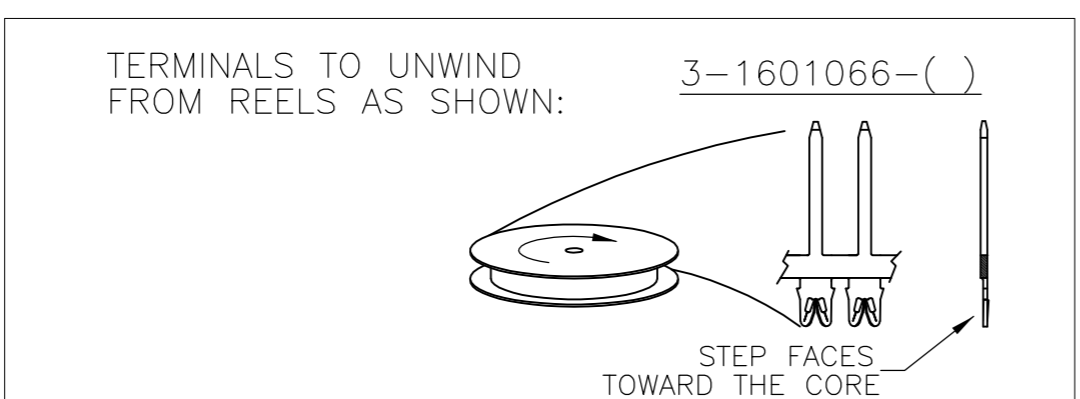
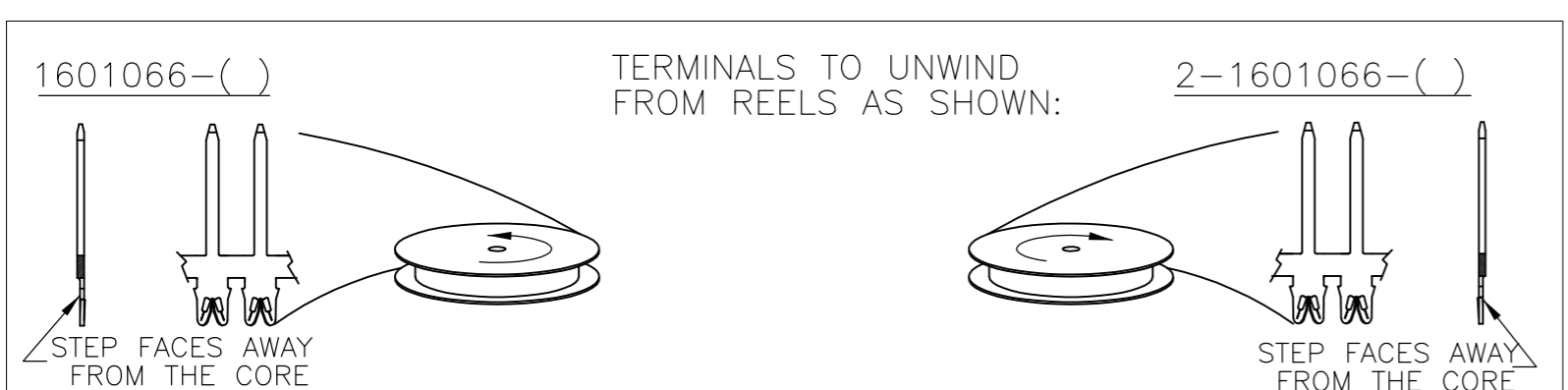
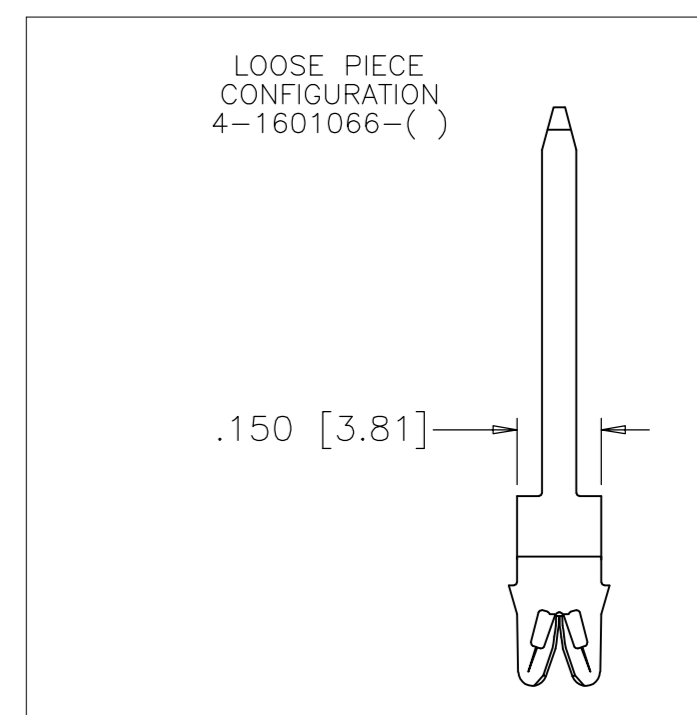


THIS DRAWING IS UNPUBLISHED. RELEASED FOR PUBLICATION
 © COPYRIGHT BY TYCO ELECTRONICS CORPORATION. ALL RIGHTS RESERVED.

LOC	DIST	REVISIONS			
P	LTR	DESCRIPTION	DATE	DWN	APVD
AF	50	E1	REVISED PER ECR-07-024935	23OCT07	HMR GJ



- 1 SPECIFICATIONS: MAGNET WIRE #18 - #34 AWG .040"(1.02mm) - .006"(0.16mm) DIA COPPER.
- 2 POCKET RECOMMENDATION: # 1601431
- 3 TERMINAL APPLICATION TO COMPLY WITH TYCO ELECTRONICS SPECIFICATION 114-13166 FIGURE 10
- 4 PRELIMINARY - NOT FOR PRODUCTION



-		-		-	
-		-		-	
PRE-TIN PLATE OVER COPPER UNDERPLATE		-		4-1601066-2	
PRE-TIN PLATE OVER COPPER UNDERPLATE		-		3-1601066-2	
PRE-TIN PLATE OVER COPPER UNDERPLATE		131-134-014		2-1601066-2	
PRE-TIN PLATE OVER COPPER UNDERPLATE		131-133-014		1601066-2	
FINISH		REFERENCE PART NUMBER		TYCO PART NUMBER	
THIS DRAWING IS A CONTROLLED DOCUMENT.		DWN J.WELLER 11JAN2002		Tyco Electronics Corporation Harrisburg, PA 17105-3608	
DIMENSIONS: INCHES		CHK M.FEHER 11JAN2002		NAME	
TOLERANCES UNLESS OTHERWISE SPECIFIED:		APVD K.RANDOLPH 11JAN2002		STANDARD RANGE WIRE TO .059 X .032 TAB SIAMEZE TERMINAL	
0 PLC ± -		PRODUCT SPEC		SIZE	
1 PLC ± -		108-2085		CAGE CODE	
2 PLC ± .01[0.25]		APPLICATION SPEC		DRAWING NO	
3 PLC ± .005[0.13]		3		RESTRICTED TO	
4 PLC ± -		WEIGHT		A2 00779 C=1601066	
ANGLES ± 2°		FINISH		SCALE 6:1 SHEET 1 of 1 REV E1	
MATERIAL BRASS, 3/4 HARD		SEE TABLE		CUSTOMER DRAWING	